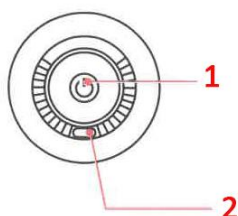


Fascia GUN – V6



INSTRUCTIONS

Function indication



1. Power ON/OFF button, 2. Charging port

Features

1. Power on: press the power button, the indicator light is on, the machine starts to work, and the power on is completed.
2. Gear shift: After standing up, short press the power button to realize the shift increase, the highest grade
3. Shutdown: when the machine is in operation, long press the power key, the machine stops working, the indicator light goes out, and the shutdown is completed.

Product description

FASCIAL GUN is a kind of vibration massage equipment. It has the characteristics of large torque and multi-stage adjustment. It can effectively relieve the soreness caused by the accumulation of lactic acid after strenuous exercise, and relieve the muscles of the sedentary, office workers and fitness exercise groups. Discomfort. There are multiple versions of this product, and the number of massage heads is different. The specific version is subject to the selected package version!

Product parameter

Rated voltage: 7.4V

Charging voltage: 5V

Charging current: 2A

Rated power: 18W

Battery Instructions

When the battery is exhausted, it needs to be charged for about 3 hours to be fully charged.

The duration of a single endurance of the machine depends on the battery life it can be used for 0.5-3 hours according to different pressure.

When the battery is charged, Please use the charging cable specially equipped with the machine, and cooperate with the 5V= not exceeding the national standard 15W adapter charges the device. When the one-button model is charging, the charging indicator red light on the product panel will be on, and the charging indicator red light will be off when it is fully charged.

When the three button model is charged, the light on the screen flickers. When the battery displays "--", the charging is completed. Do not start when charging for your safety.

Using the tutorial

Please insert the massage head into the front hole of the machine before use. There are multiple massage heads to switch freely.

The deep penetration of the device can relieve pain, bursitis, muscle spasm, neuralgia and other skeletal muscle diseases caused by joint sprain in a short time.

Almost all soft tissue diseases are related to trauma, muscle overuse or abnormal posture. Most of these diseases involve facial scar tissue, which can be treated with the device.

When using the equipment, excessive pressure and long-term physical therapy should be avoided. Sensitive areas such as head, face and cervical spine should also be avoided. If there is inflammation, swelling or aggravation of pain, the use of the equipment should be stopped immediately.

The current research is about the effect of vibration training on specific medical diseases. This is likely to reduce the types of contraindications mentioned above.

Practical experience shows that in many cases, the combination of vibration training with physical therapy is also a physical therapy suggestion. This must be done on the advice of, or in the company of, a doctor, specialist or physiotherapist.

Indication

Pain and spasm due to muscle contusion, sprain and strain

Help the edema fluid flow in thickened connective tissue and fascia

Reduce the accumulation of lactic acid in muscle

Increase joint range of motion

Eliminate muscle fatigue

Contraindication

Aneurysms, bleeding, use of

Heart disease, pacemaker or defibrillator

Pregnancy, cancer

The device should not be used within 3 inches of internal fixation within 90 days cervical es spine head ,face

Tibia, dorsum of foot, dorsum of hand and so on were less covered by muscle;

Troubleshooting

The black screen won't turn on

Battery overload protection

Connect the charging line to charge the machine and activate the battery

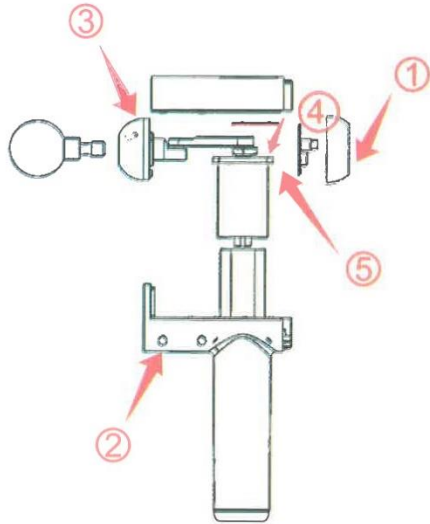
Matters Needing Attention

A Statement In order to reduce the risk of failure, electric shock, injury, fire, death and equipment damage, please read all instructions and warning tips in this manual before using this product.

- This product is not used for medical purposes, only provides personal massage function
- Do not allow children or people with no autonomy to operate and use this product, please place this product out of children's reach;
- It is forbidden to use it on the surface of non-dry, clean skin, it can be used through clothes, press and move gently on the skin, about 10 seconds for each part;
- It is forbidden to use the product on the top of the head or any part of the body that is hard or has bones; if there is no pain or discomfort, use the product only on the soft tissues of the body;
- It is forbidden to use it when there is bruise, pain or discomfort in the massage area;
- Do not stand or sit directly on the product, it may cause a fall accident;
- Excessive use will cause the product to overheat and shorten the product life. When using repeatedly, let the product cool down for a period of time before using.
- Do not use it in a humid environment such as a bathroom, and do not put the product in water or other liquids to avoid short circuit or electric shock;
- Do not place the product near the stove or direct sunlight;
- Do not use during lightning strikes;
- Do not insert or drop objects into any openings of the product;
- Do not cover the massager when using it, so as to avoid malfunction due to the increase of motor temperature.
- Do not allow fingers, hair or other parts of the body to be close to the shaft and back of the vibrating head, as they may be caught
- Before discarding the appliance, the battery must be removed from the appliance;

- When taking out the battery, the appliance must be powered off;
- Batteries should be disposed of safely;

Disassembly steps of battery when the machine is discarded:



1. First, take out a total of one screw at (1) as shown in the figure with a screwdriver and open the back cover of the machine.
2. Then take out the screw at (2) as shown in the figure with a screwdriver and open the upper cover of the machine.
3. Then take out the screws at (3) with a cross screwdriver, loosen the screws at 4 places with a 2.5 Allen wrench, and remove the eccentric.
4. Open the screw at (5) with a cross screwdriver and take out the motor. After taking out the motor, find the plug-in of the battery on the circuit board, pull out the plug-in, remove the battery and dispose of it according to the regulations.

Before discarding the appliance, take out the battery from the appliance and classify the garbage correctly.